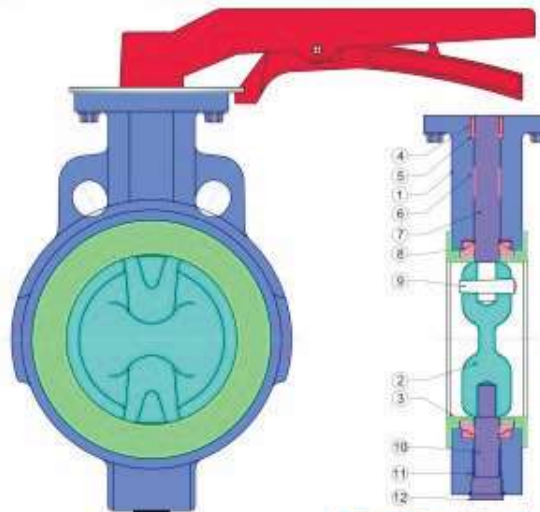
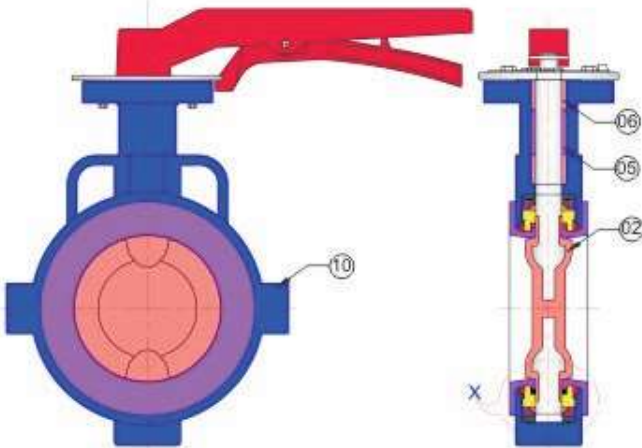


"aira" Offers FEP / PFA Lined Butterfly Valve for Corrosive Application. The FEP / PFA Seat Lined Covers the entire Wetted Surface of the body and Extends on to the Flanged Contact Faces, Thus elimination as possibility of any media contact with the body.

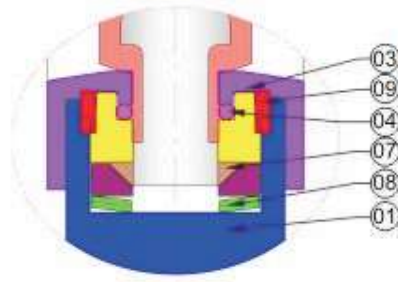
Size Range : 2" to 12"

Standard

Design and manufacturing : API 609 category A/BS 5155 / MSS SP-67 / C-504
 Valve face to face dimensions : Short wafer as per ISO 5752 Tab 5 / API 609 Category A
 Top flanged drilling : ISO 5211 Part II
 Inspection and testing : API 598 / BS 6755 / FCI-702
 Flanged standard conformity : ANSI 150, DIN PN 10 / 16



No.	Description	Material
1	Body	C.I. / D.I. / CF8 / CF8M
2	Disc	C.I. / C.S. / CF8 / CF8M
3	Seat	PTFE
4	Collar	PTFE
5	"O" Ring	Viton
6	Metal Bush	PTFE Coated
7	Top Shaft	AISI 410
8	Pad	Silicon
9	Disc Pin	S. S. 304
10	Bottom Shaft	AISI 410
11	"O" Ring	Viton
12	Plug	M. S.



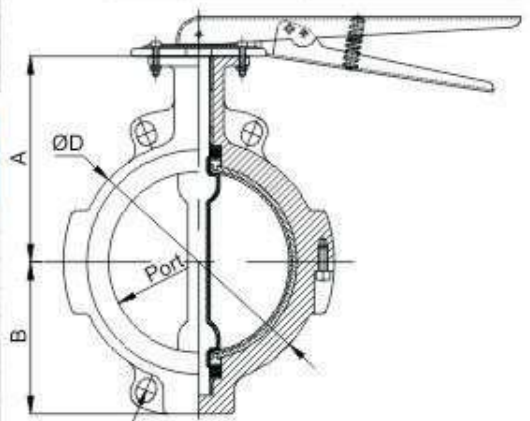
Details X

No.	Description	Material	Qty.
1	Body	C.I. / C.S. / CF8 / CF8M	01
2	Disc	C.I. / C.S. / CF8 / CF8M	01
3	Sleeve	FEP / PFA	01
4	"O" Ring	Viton	02
5	Bush	PTFE (Teflon)	02
6	Bush	Metal Bush S.S. 304	02
7	Truth Bush	S.S. 304	02
8	Washer	Spring Steel	04
9	Gasket	Silicon Big	02
10	L. N. Bolt	S.S. 304	02

Dimensions :

(All Dimensions are in mm)

Valve Model	Valve Size		Port	A	B	F to F	ØD
	MM	Inch					
FEP - SGI - 50	50	2"	48	107	65	44	101
FEP - SGI - 65	65	2.1/2"	62	118	65	46	112
FEP - SGI - 80	80	3"	78	122	83	46	130
FEP - SGI - 100	100	4"	98	153	98	52	163
FEP - SGI - 125	125	5"	---	---	---	---	---
FEP - SGI - 150	150	6"	148	193	122	57	218
FEP - SGI - 200	200	8"	196	223	167	63	273
FEP - SGI - 250	250	10"	---	---	---	---	---
FEP - SGI - 300	300	12"	291	271.5	244.5	78	380



ON & ABOVE 200 NB.